

THE NEW DIMENSION TO MOBILE ICE MAINTENANCE

Product sheet
Pinguino







The handy ice resurfer for events and mobile rinks, ideal for ice surfaces up to **800 m² / 8,600 ft²**.

Whether it's a sports event or an ice skating rink, you can easily keep your designated ice surface flawlessly maintained with WM Pinguino.

This innovative, compact ice resurfer (measuring 3 meters in length and 2 meters in height) performs on par with larger professional machines: it efficiently planes the ice, ensuring perfect quality. Plus, its unique front seating position for the driver offers excellent visibility and a comfortably enjoyable driving experience.

Modern design, high quality, and easy maintenance – ice resurfacing for mobile rinks has never been this professional and comfortable!

	Snow tank volume	1 m ³ / compacted 1.25 m ³ 35.3 ft ³ / compacted 44.2 ft ³
	Water tank volume	340 l 90 gal
	Blade width	1,400 mm 55 1/8 in
	Fields of operations	Mobile / Event

“Agile, comfortable to use and outstanding ice resurfacing: With the WM Pinguino, we create the perfect ice conditions for our events!”

Raphael Fink
Pond Hockey Championship
Ritten / Italy





Safety and Protective Features

WM technics prioritizes safety and health above all. An exhaustive and independent evaluation conducted by [Suva](#), an accredited and recognized Swiss certification agency, confirms compliance with the provisions of the European Directive 2006/42/EC, which governs the protection against machinery accidents.

suva
CERTIFICATION

In compliance with Suva certification No. E 7164/2.e

TECHNOLOGY

Explore the WM Pinguino's standard features and numerous optional extras. We are also happy to customize the WM Pinguino to meet your needs.



Facts & figures

Motor	Asynchronous motor
Drive power	10 kW
Battery Lithium	BlueLi 80V – 100Ah
Charger Power	3 kW
Battery charger connection	230V / 50Hz
Autonomy	ca. 1h 10 min.
Charging time	ca. 2h 40 min.
Weight when empty	1,250 kg (basic outfit)
Water tank	340 l
Snow tank	1 m ³ – compacted 1.25 m ³
Transmission	Continuously adjustable hydraulic four-wheel drive
Axles	Single wheel drive
Steering	Hydraulic
Footbrake	Hydraulic
Parking brake	Mechanical parking brake on rear wheels
Hydraulic system	18 cm ³ axial piston pump for drive, 6 cm ³ work units + cylinder movements, 4.4 cm ³ steering
Diameter of screw conveyors	vertically ø 175 mm horizontally ø 170 mm
Tires	5.00R12 83/81P 2 rows of spikes
Wheel rims	12" x 5" with hubcaps

Standard equipment

All-wheel drive
Parking brakes
2 board guide rollers
Watertank-snowbin made of stainless steel
Spring suspended drivers seat
Horn
Easily accessible engine compartment (tiltable driver's seat, hydraulically tiltable snowtank)
Hydraulic power steering
2 hydraulically powered screw conveyors
Hydraulic carriage pressure system
Hydraulic opening and closing of snow bin cover
Manual blade adjustment
Tiltable planing device for easy, safe blade changing
Tiltable operator's platform (2 positions)
1 blade
1 towel
Scope of delivery set



Petrol / Gasoline

Facts & figures

Engine	Honda GX690RH, 2 cylinder 688 cm ³
Power	16.5 kW / 22.1 HP PS - 3,600 rpm
Weight when empty	1,100 kg (basic outfit)
Water tank	340 l
Snow tank	1 m ³ – compacted 1.25 m ³
Fuel tank	15 l
Transmission	Continuously adjustable hydraulic four-wheel drive
Axles	Single wheel drive
Steering	Hydraulic
Footbrake	Hydraulic
Parking brake	Mechanical parking brake on rear wheels
Hydraulic system	18 cm ³ axial piston pump for drive, 6 cm ³ work units + cylinder movements, 4.4 cm ³ steering
Diameter of screw conveyors	vertically ø 175 mm horizontally ø 170 mm
Tires	5.00R12 83/81P 2 rows of spikes
Wheel rims	12" x 5" with hubcaps

Standard equipment

All-wheel drive
Parking brakes
2 board guide rollers
Watertank-snowbin made of stainless steel
Spring suspended drivers seat
Horn
Easily accessible engine compartment (tiltable driver's seat, hydraulically tiltable snowtank)
Hydraulic power steering
2 hydraulically powered screw conveyors
Hydraulic carriage pressure system
Hydraulic opening and closing of snow bin cover
Manual blade adjustment
Tiltable planing device for easy, safe blade changing
Tiltable operator's platform (2 positions)
1 blade
1 towel
Scope of delivery set



In conformity with Suva no. E 7164/2.e type-examination certificates



Included in delivery (Lithium & Petrol / Gasoline)



1 blade in
transport sheath



Felt spreader towel



2 rubber mats



6 mm hex socket T wrench



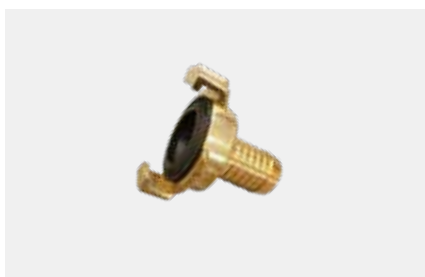
Cross-key with nut



Laceration-proof
safety gloves



Grindstone



Water connector



Fuse set



Set ABS
fastening material

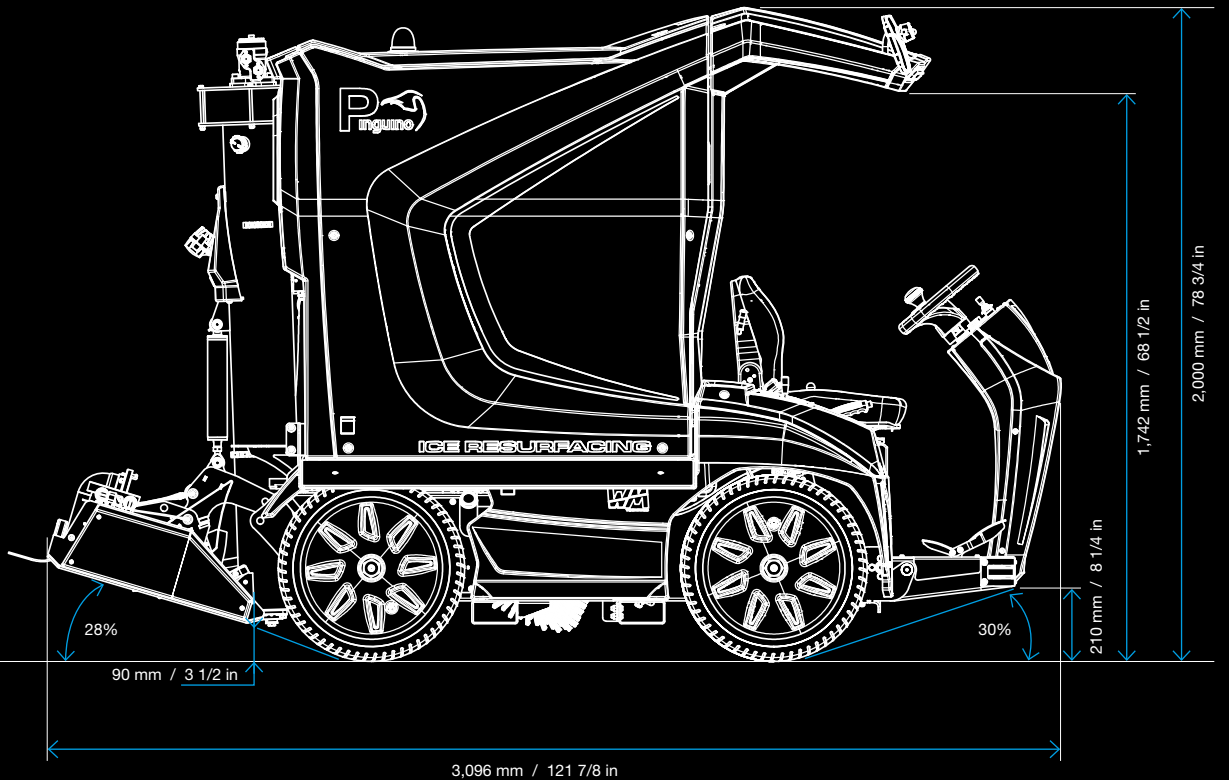
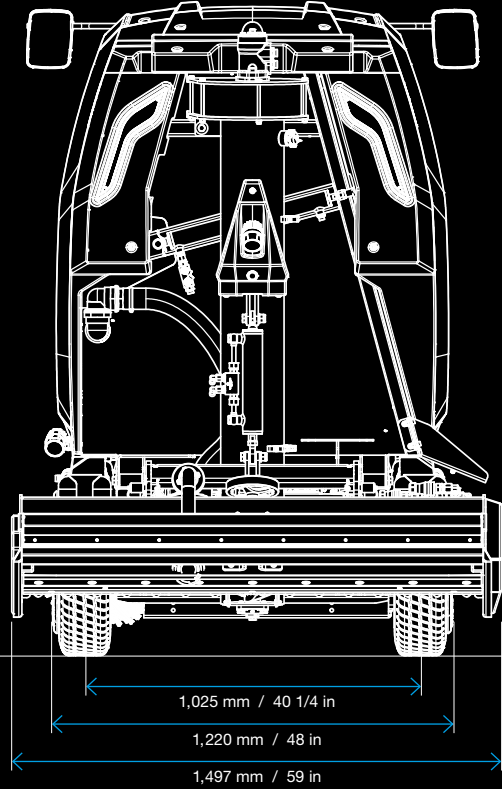
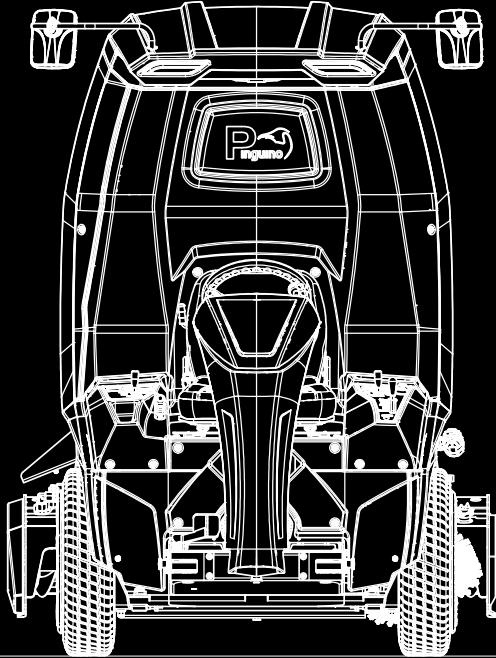


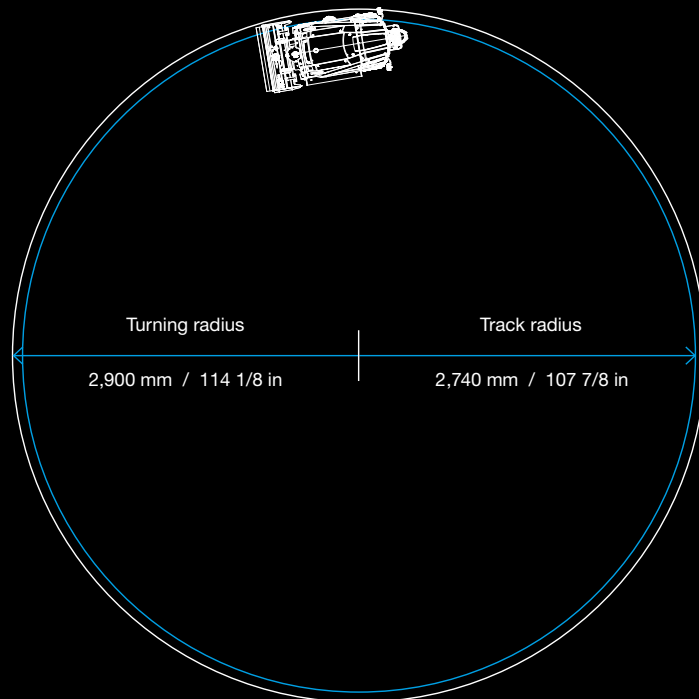
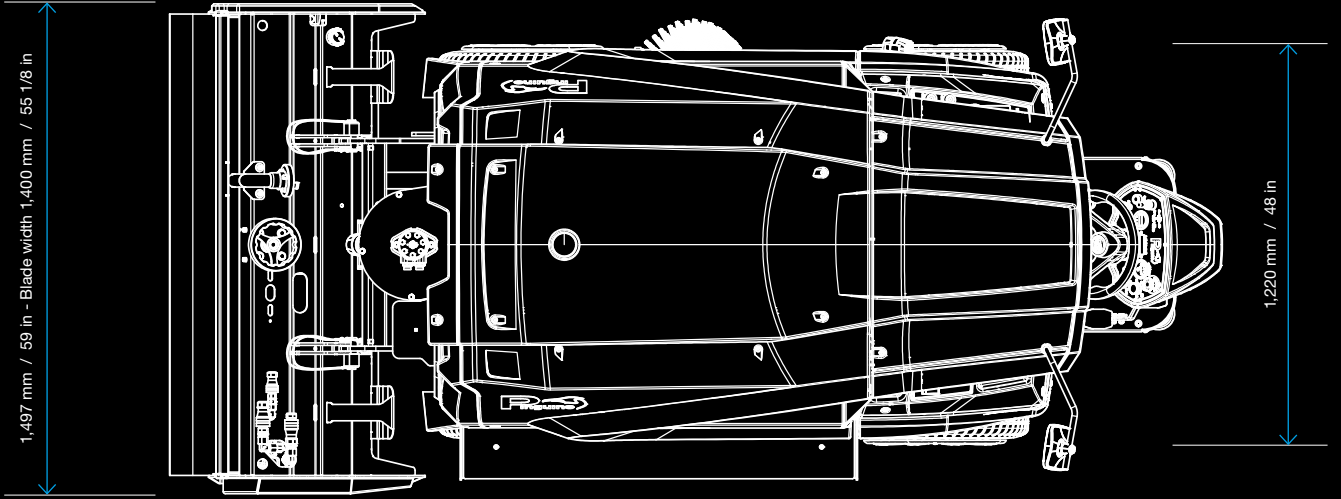
Operating instructions



Online spare
parts catalogue

Dimensions





WM technics GmbH

Breiner Straße 15
I-39053 Blumau
T. +39 0471 353 332
info@wm-technics.com
wm-technics.com

Follow us on

YouTube: *WM ice*
Facebook: *WM ice*
Instagram: *WM ice*
LinkedIn: *WM technics*

