

# SMART SOLUTION FOR BIGGER RESULTS

Catalogue  
Viroc





Catalogue  
Viroc

# Viroc.

# When size matters.

## Ultimate Flexibility. Anytime, anywhere.



# INDEX

Plus	10
Highlights	20
Facts & figures	40
Optionals	45
Accessory	48
Company	79
Products	86



Versatility  
with no limits:  
master every crop.







Ready for every terrain.  
Built for every crop.



Plus

# Versatility

Viroc sets the standard for versatility in tool carriers. Its broad range of uses and ability to adapt to various surfaces make it essential for both farming and off-road tasks.

With Viroc, you gain flexibility and peak performance: streamline operations, boost efficiency, and cut costs!



## Be multicultural.

With its compact and robust design, Viroc operates smoothly and seamlessly across any terrain and for every crop.



### All-rounder

Viroc's versatility allows it to be used for different types of crops, while its off-field capabilities ensure it's a dependable partner throughout the year.



### Efficiency & savings

Whatever terrain you work on, one machine is all it takes, cutting costs along the way. Viroc revolutionizes farming, delivering higher returns for agricultural businesses.

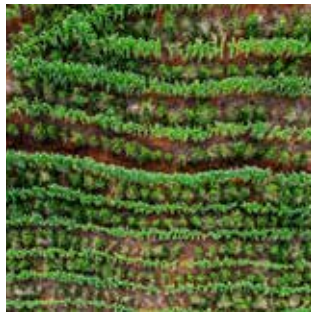


### Top investment

Viroc is a strategic top investment: with its high utilization potential and productivity, you'll recoup your costs in no time.



Wine



Coffee



Apples



Kiwis



Bananas



Firs



Oil palms



Mangos

Plus

# Yield

Increased yield through innovative engineering: Thanks to its low weight, compact width, and deep center of gravity, Viroc opens up new growing areas and preserves your soil.

That means you can fight erosion, overcome steep slopes, optimize row spacing, and cut down on maintenance costs.



---

Lightweight design protects your soil

---

Limited maintenance costs

---

Higher yield through clever engineering

---

## Get the most out of your fields.

Viroc lets you restyle your business: create tighter rows and maximize your soil's full potential.



### Featherweight

Less ground pressure means increased soil fertility and minimal impact on water absorption: With a base weight of just 1,270 kg, Viroc ranks among the featherweights of agricultural machines, effectively preventing soil erosion.



### Cost-cutter

Minimizing erosion risk delivers both practical advantages and financial gains by reducing the need for maintenance. Less erosion leads to less damage to roots and crops, translating into long-term savings.

# +25%

### Profits

With Viroc, you get higher yields and better soil utilization: the narrow width enables closer row spacing, while its stability from the low center of gravity allows you to expand your cultivation to even the steepest hillsides.



Plus

# Multifunctional

Viroc redefines multifunctionality. Thanks to its three mounting areas, you can attach accessory units of any kind from any manufacturer in no time – at both the front and rear – enabling you to perform several operations simultaneously.

Save time for the tasks that matter most and let Viroc handle the rest.



---

Simple accessory mounting

---

Two accessory units at once for  
max. productivity

---

Engineered for fast unit swaps

---



Everything is at your fingertips. Manage your land and fields with ease. Viroc supports you with complete equipment and all accessories from sowing to harvest. Switching accessory units takes just a few simple steps and minutes.

∞

### No limits

Whether it's accessory units from WM technics or other manufacturers, all can be used with Viroc without any restrictions, allowing you to integrate your existing equipment seamlessly.

2

### Multitasking

Front and rear accessory units combine for true multitasking. Viroc allows you to operate two accessory units at once, optimizing your time and reducing costs.

<5'

### Quick change

At WM technics, user-friendliness is a core principle, also when it comes to switching accessory units. Thanks to the unique design, you can swap them out in under 5 minutes.



Linkage



Loader bucket



Rotary plough



Front linkage



Sprayer



Implement mast



Flail mower



Trimmer



Dumper skip



Transportation platform

Plus

# Efficiency

Efficiency through power and safety. Viroc offers a range of features designed to make your daily agricultural tasks easier, faster and safer.

The patented safety system, combined with Italian engineering excellence, is set to revolutionize your work both in the fields and off-road.



---

High performance & low weight

---

Massive steering angle ( $\pm 82^\circ$ )

---

Comprehensive safety system

---

## Unmatched performance.

A unique power-to-weight ratio ensures smooth soil cultivation and a stress-free workday for the operator. Plus, you'll save both time and money.

≥ 1,270 kg

55.4 kW

KAT4

### Lightweight

With its superior power, lightweight design, and massive steering angle, Viroc stands as the strongest and most efficient tool carrier in its category.

### Strong

Thanks to its high performance, Viroc excels at safely handling steep slopes, allowing you to take on challenging terrain while allocating your workforce where needed.

### Safe

While Viroc offers many functional advantages, safety is never compromised — in fact, it's a top priority. With a ROPS-tested pressurized category 4 cabin featuring activated charcoal filters and rollover protection, safety is at the core of its design.

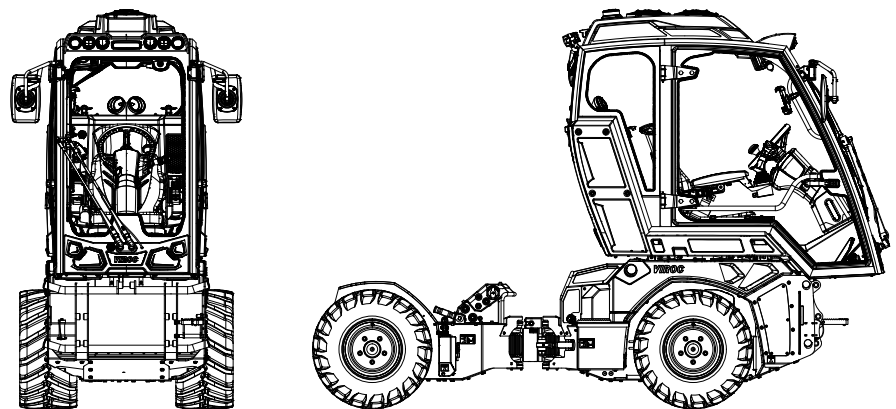


Viroc was specifically designed for use in vineyards and maneuvering on **steep slopes and between tightly spaced rows**. This versatility has also captured the attention of farmers working with other crops. Viroc stands out for its excellent traction, advanced safety features, user-friendliness, and maximum driver comfort.

Viroc is a high-tech, safe, and user-friendly multifunctional tool carrier – a true revolution in agriculture merging the expertise of one of Europe’s most historic wine-growing regions and the unparalleled innovative spirit of WM technics.

Viroc embodies innovation at every turn: from the state-of-the-art cabin to the flexible mounting system for various accessory units, all the way to the frame, designed for effortless maneuvering on steep slopes and between narrow rows. The multifunction joystick allows for easy and intuitive control.

The people are always at the heart of WM technics’ development. Our mission: ensuring safe work under extreme conditions.



---

For extreme slopes & tight rows

---

For cultivation in extreme conditions

---

Technological innovation & revolution

---



## Awards

Viroc has received awards at multiple agricultural sector events for its outstanding technical advancements.



Highlights

# Engine

Whether it's the 3-cylinder diesel engine with 1,464 cm<sup>3</sup> displacement or the 4-cylinder diesel engine with 1,967 cm<sup>3</sup> displacement, Viroc meets the strict **Stage V** emissions standards.

The engines deliver 60 hp (43.7 kW) or **75 hp** (55.4 kW), respectively.

The cylinder block of the 4-stroke diesel engine is made of cast iron and is water-cooled. The cylinder head is crafted from a special aluminum alloy. Running at 2,250 rpm ensures the engine's quiet operation and efficient fuel use. The engine is centrally mounted in the frame and equipped with protective covers and a radiator grille.





## Steady on slopes

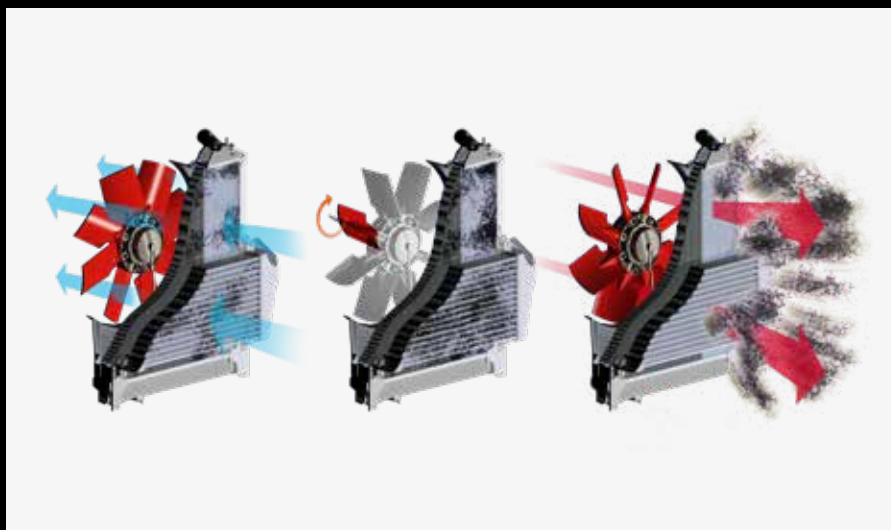
Viroc owes its stability to its low center of gravity, which is essential for secure and efficient operation on steep slopes.

The diesel engine and hydraulic pumps are positioned as low as possible, near the machine's base frame made of heavy steel. The upper components, such as the lightweight aluminum cabin, are crafted using techniques typically used in the aerospace industry.



## Effective cooling in extreme heat

Thanks to its large radiator, Viroc stays cool, even on scorching days, which efficiently cools the hydraulic oil and engine under high external temperatures. The protective grille can be easily removed without tools for cleaning, simplifying maintenance, and ensuring the cooling system runs at peak performance.



## Radiator cleaning

With the Cleanfix reversible fan, the radiator is capable of self-cleaning, initiated either automatically or manually from the display, all without leaving the operator's seat. This function is standard in the VR80 model and available as an upgrade for the VR60 model.





### Off-highway electronic components

Only electronic components tested and designed for off-highway applications are used to control the vehicle. All mechanical safeguards and switching elements have been substituted where possible by shortcut-proof and overload-proof components; so nothing can get in the way of trouble-free and comfortable operation!



### Low-maintenance air filter

Before the air even reaches the filter, it is pre-cleaned by an additional cyclone separator.

Highlights

# Hydrostatic drive

## Powerful & innovative drive system.

Viroc achieves impressive traction through a state-of-the-art hydraulic all-wheel drive with radial piston motors specifically developed for agricultural use.



### Premium hydrostatic pumps

Two hydrostatic variable piston pumps manage forward and reverse motion, one for the right and one for the left wheels. Speed is continuously adjustable from 0 to 20 km/h using a single pedal. Switching between forward and reverse gears is easily done via a joystick switch. The High-Torque version, if desired, allows for boosting pulling power from 13,300 N to 20,000 N. However, the top speed is reduced to 14 km/h.



### Speed control

For tasks requiring steady speed, an electronic cruise control provides consistency, and thus enhanced productivity — particularly when using accessory units such as sprayers or mowers. Speed is precisely managed through a dial on the joystick, regardless of the diesel engine's RPM.



### Differential lock

Viroc's hydraulic differential lock prevents the wheels from spinning thanks to a system that evenly distributes the oil and, thus, the driving power to all four wheels in extreme situations.



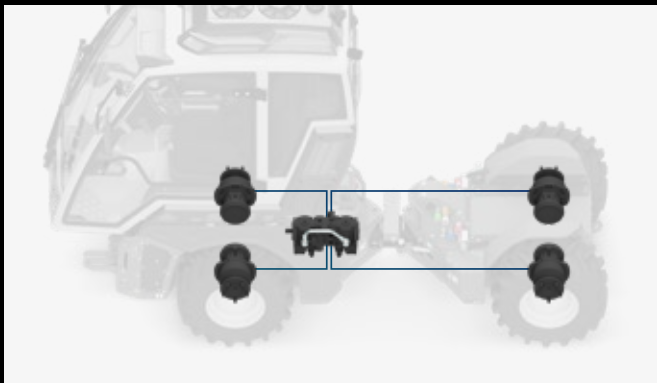
### Self-braking system & spring-loaded brakes

The four spring-loaded brakes, one on each drive wheel, ensure a safe stop when the designated switch on the joystick is set to zero, the operator leaves the seat, or the engine is turned off.

Highlights

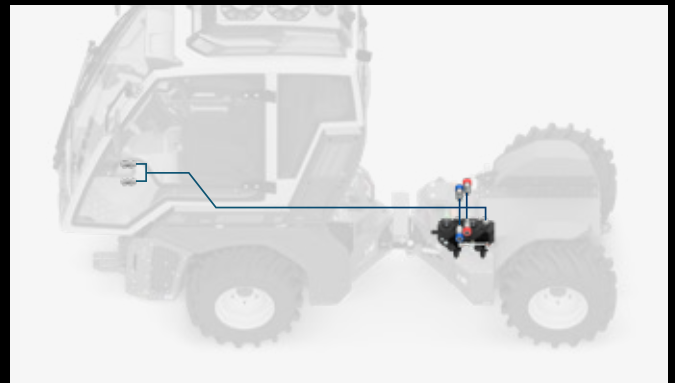
# Hydraulic system

# Up to 7 separate high-pressure hydraulic pumps with large flow capacities. Maximize the performance of your accessory units!



## Drive: Two variable displacement piston pumps

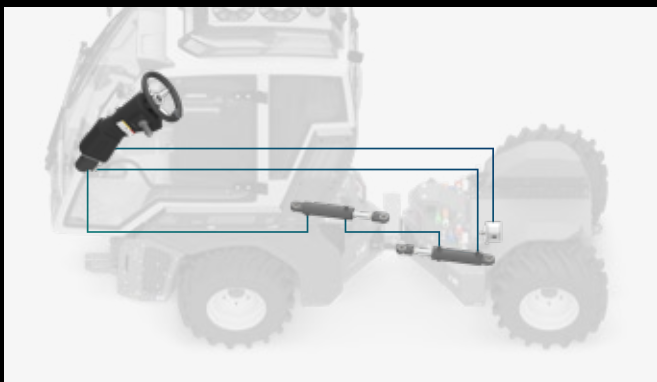
The variable displacement piston pumps provide hydrostatic drive for the right and left wheels, respectively.



## PTO: A variable displacement piston pump

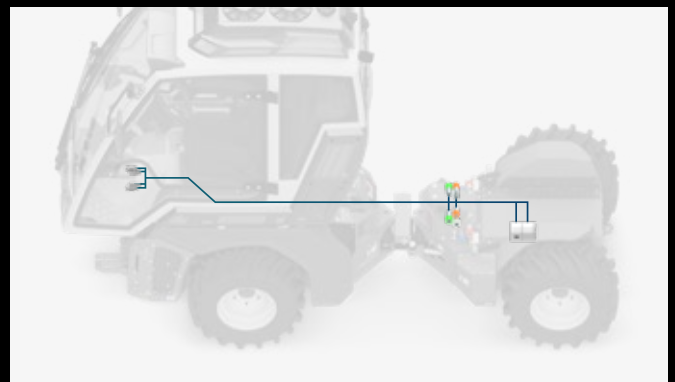
An axial piston pump supplies the hydraulic PTO with an oil flow of 0 - 40 l/min at a maximum of 250 bar.

An optional second axial piston pump with a flow rate of 0 - 40 l/min at up to 250 bar can be installed for an additional independent hydraulic PTO.



## Steering: Hydraulic gear pump

Viroc's steering system is equipped with a fixed displacement hydraulic pump (gear pump) with a flow rate of 19 l/min at 180 bar.



## Cylinder movement: Hydraulic gear pump

A gear pump with a capacity of 13.5 l/min at 180 bar is used for the working hydraulics or hydraulic distributors with proportional solenoid valves.

An additional pump can be added upon request. This pump supplies extra hydraulic distributors of this type.

Highlights

# Frame

Viroc is equipped with a frame made from high-strength steel. This blend of **lightness and durability** guarantees top stability, even in the most demanding environments.

The frame consists of two modules connected in the middle by a double articulation joint, which allows for independent rotation of the modules (steering angle of  $\pm 82^\circ$ ), enabling an extremely small turning radius.



### Simplified control through double articulation joint

No obstacle is insurmountable for Viroc: Thanks to its double articulation joint, the machine can achieve a steering angle of  $82^\circ$  without sacrificing stability. The central joint is designed to keep the rotation axis parallel to the vehicle's longitudinal axis, even while maneuvering (twist angle:  $35^\circ$ ). The double articulation joint is located at the frame's center of gravity (ground clearance: 15.2 cm) and is connected to the independent wheel monitoring system. Its sensors respond and lock the joint (patented joint lock system) when a wheel loses contact with the ground in an extreme situation.

### Reliable underbody protection

Completely protected: The high-strength steel plates on the underside withstand even hard stones, shielding all mechanical and electrical components. Additionally, enclosed wheel-casing prevents vine branches, grass, and similar debris from entering the engine compartment.

### Perfect balance

The front of the machine is perfectly balanced because the combustion engine and hydraulic components are centrally positioned; the driver's weight is also centered directly over the wheel. The rear of the machine is equally balanced, as the attached accessory units are placed precisely over the wheel axis as well. This results in an optimally balanced machine with minimal pressure on the central joint.

### Low weight & compact structure

Weighing 1,270 kg, Viroc boasts the world's best power-to-weight ratio among tool carriers. Thanks to its compact design, Viroc delivers exceptional power while preserving soil integrity. On request, the chassis can be lifted by 65 mm to increase ground clearance in very uneven terrain.

Highlights

# Driver's station



Versatility at its finest: The **innovative cabin** enables operation in all conditions, throughout the year, in both driving directions, and with numerous accessory units.

Viroc's driver's station is a true highlight: The cabin frame is made entirely of high-strength aluminum. The cabin is ROPS-certified and can rotate 180°. These features, and many more, make Viroc one of a kind in its class.



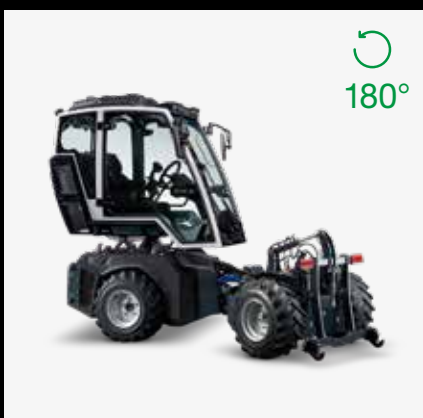
Cabin in driving direction 1



Elevated cabin



Cabin rotation



Cabin locking



Cabin in driving direction 2



### 180° rotatable cabin

In addition to its high-strength aluminum frame, ROPS certification, low center of gravity, and high safety standards, the cabin has another unique feature: It can be lifted by a hydraulic pump and be rotated 180°. Furthermore, it is decoupled from the frame by four silent blocks for noise and vibration reduction.



### Visibility

Due to Viroc's compact build, the driver's station provides outstanding visibility of the attached accessory units, allowing high precision at work. A 110 cm glass door on the side ensures easy access to the driver's seat. At your request, a rear-mounted video camera can be installed for enhanced workflow monitoring.



### Multifunction joystick

The ergonomic joystick on the right armrest of the driver's seat enables onehanded control of all functions, ensuring you always maintain control of the engine, drive, and accessory units!



### Touchscreen monitor

The high-quality 7-inch display clearly visualizes all relevant operating data. Additionally, functions can be controlled, and operating parameters can be individually adjusted via touch commands.



### Air-cushioned seat

Comfortable seating is essential for extended workdays. For this reason, we've equipped Viroc with an ergonomic seat from the premium brand GRAMMER, ensuring maximum comfort during operation.



### Protection

To protect you from external pollutants, Viroc is equipped with a Category 4 pressurized cab. Category 4 currently represents the highest protection class, ensuring the best possible operator safety against dust, aerosols, and vapors. The activated carbon filter is designed for easy maintenance and can be replaced with just a few simple steps.



### Lighting

Viroc offers a wide range of lighting systems to support your daily work and provides maximum visibility at all times.



### Adjustable steering wheel

The steering wheel is adjustable in both height and tilt, allowing you to find your ergonomically optimal position.

Highlights

# Tires

A diverse selection of tires ensures Viroc is equipped for a wide variety of uses.



185/65 – 15  
Width Viroc 90 cm



185/65 – 15  
Width Viroc 100 cm



27 x 10.50 – 15  
Width Viroc 105 cm



26 x 12.00 – 12  
Width Viroc 115 cm

# Dual tires with quick-release system

185/65 – 15

Width Viroc 90 cm



Mounting plate



185/65 – 15  
Width Viroc 132 cm



26 x 12.00 – 12  
Width Viroc 153 cm



TerraTec 15"  
LS Grip Pro  
Width Viroc 165 cm

185/65 – 15

Width Viroc 100 cm



Mounting plate



185/65 – 15  
Width Viroc 140 cm



26 x 12.00 – 12  
Width Viroc 165 cm



TerraTec 15"  
LS Grip Pro  
Width Viroc 175 cm

27 x 10.50 – 15

Width Viroc 105 cm



Mounting plate



27 x 10.50 – 15

Width Viroc 157 cm

26 x 12.00 – 12

Width Viroc 115 cm



Mounting plate



185/65 – 15

Width Viroc 157 cm



26 x 12.00 – 12

Width Viroc 180 cm



TerraTec 15"  
LS Grip Pro

Width Viroc 190 cm

Highlights

# Standard features



Viroc was developed to be a true **revolution in farming**, underlined by its standard features, including unrivaled components in its category.



### CAN bus system

The innovative system automatically recognizes mounted accessory units, adjusting essential settings like oil flow and controls accordingly. Viroc also includes 11 programmable electric outputs for managing hydraulic valves, along with 7 analog, digital, and encoder inputs. Via the CAN bus interface, Viroc can operate even the most advanced accessory units.



### Road homologation

Viroc is designed for road use, either as a "tractor" or a "work vehicle". Select the configuration that complies with your country's regulations.

# Facts & figures



## Viroc VR60

Engine	Diesel Hatz 3H50TICD
Emission standard	Stage V
Number of cylinders	3
Performance / rpm	43.7 kW (60 hp) / 2,250 rpm
Displacement	1,464 cm <sup>3</sup>
Cleanfix reversible fan	Optional
Standard traction	20 km/h – 13,300 N
Traction (High Torque)	14 km/h – 20,000 N
Standard ground clearance	90 cm: 150 mm 100 cm: 150 mm 105 cm: 175 mm 115 cm: 155 mm
Ground clearance (High Lift)	90 cm: 215 mm 100 cm: 215 mm 105 cm: 240 mm 115 cm: 220 mm

## Viroc VR80

Engine	Diesel Hatz 4H50TICD
Emission standard	Stage V
Number of cylinders	4
Performance / rpm	55.4 kW (75 hp) / 2,250 rpm
Displacement	1,967 cm <sup>3</sup>
Cleanfix reversible fan	Standard
Standard traction	20 km/h – 13,300 N
Traction (High Torque)	14 km/h – 20,000 N
Standard ground clearance	90 cm: 150 mm 100 cm: 150 mm 105 cm: 175 mm 115 cm: 155 mm
Ground clearance (High Lift)	90 cm: 215 mm 100 cm: 215 mm 105 cm: 240 mm 115 cm: 220 mm

## General

Drive	Stepless, hydraulic all-wheel drive (0 - 20 km/h) with electronic speed control
Axles	Hydraulic single-wheel drive
Differential lock	Powershift hydraulic differential lock
Steering	Double articulation ( $\pm 82^\circ$ )
Central joint lock	Central location with patented joint lock system and independent wheel monitor
Service brake	Hydrostatic
Parking brake	Hydraulically controlled negative brakes on all 4 wheels, integrated in the end drives
PTO 1	Can be regulated hydraulically via piston pump in both directions at 250 bar from 0 to 40 litres
PTO 2 (optional)	Can be regulated hydraulically via piston pump in both directions at 250 bar from 0 to 40 litres
Working hydraulics 1	Gear pumps max. 13.5 l and 180 bar, electrohydraulic proportional valves
Working hydraulics 2 (optional)	Gear pumps max. 13.5 l and 180 bar, electrohydraulic proportional valves
Instruments	7" touchscreen display, illuminated keypad with 6 keys
Driver's station	Category 4, ROPS-tested, pressurized aluminum cabin; rotatable by 180°; steering column adjustable in height & tilt; 1 multifunction joystick
Hand-arm vibrations	< 2.5 m/s <sup>2</sup>
Whole-body vibrations	< 0.5 m/s <sup>2</sup>
Electric system	12V 60Ah, light system 110A, CAN bus & 30 electrical outputs/inputs for accessory units
Fuel tank	36 l
Hydraulic system	40 l of type HVLP 46
Operating temperatures	-15 °C to +40 °C

## Tires

Total width 90 cm	185/65 - 15 4PR
Total width 100 cm	185/65 - 15 4PR
Total width 105 cm	27 x 10.5 - 15 8PR
Total width 115 cm	26 x 12.00 - 12 8PR

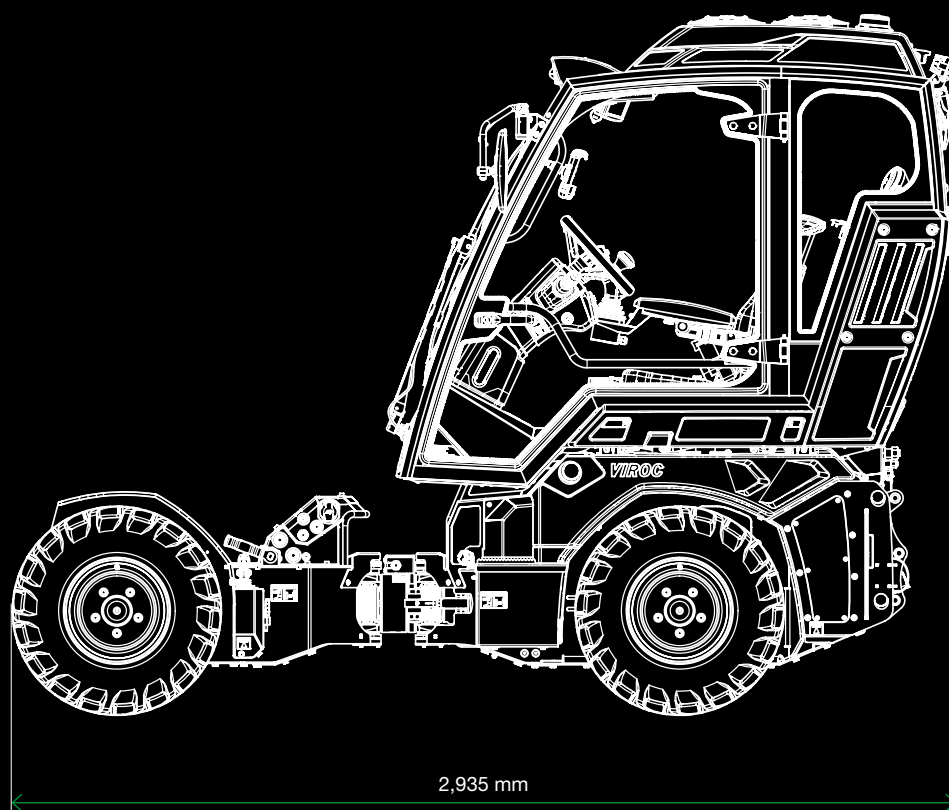
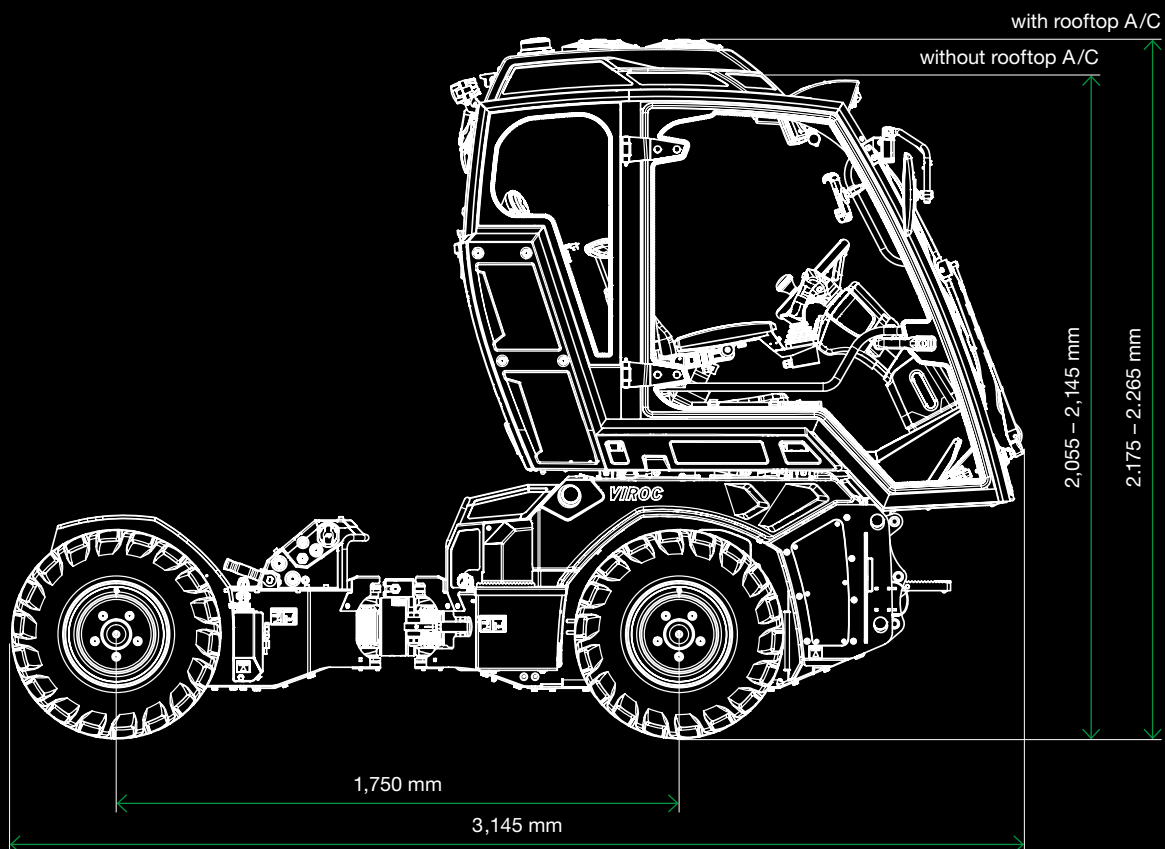
## Weight & dimensions

Weight	Basic machine 1,270 kg
Max. permitted weight	2,450 kg
Overall length	Driving direction forwards: 3,145 mm
Overall length	Driving direction backwards: 2,935 mm
Height	2,055 – 2,265 mm
Center distance	1,750 mm

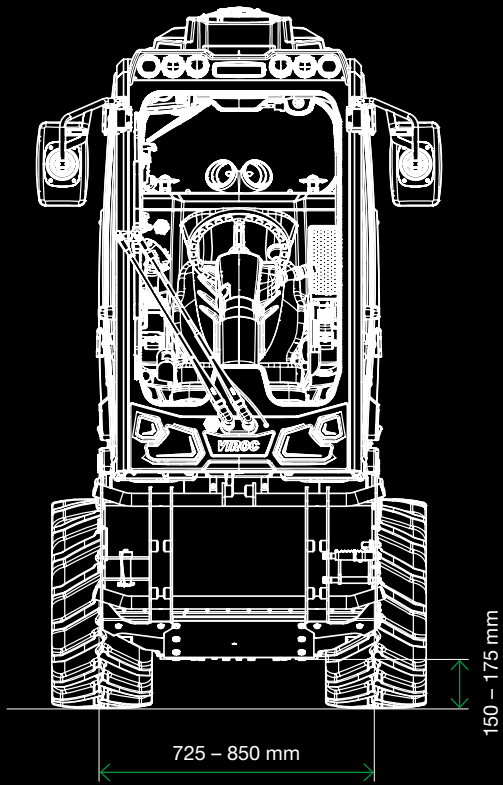
## Turning radius

Total width 90 cm	Inner turning radius 585 mm Outer turning radius 1,730 mm Outer track radius 1,420 mm
Total width 100 cm	Inner turning radius 540 mm Outer turning radius 1,730 mm Outer track radius 1,445 mm
Total width 105 cm	Inner turning radius 510 mm Outer turning radius 1,730 mm Outer track radius 1,440 mm
Total width 115 cm	Inner turning radius 455 mm Outer turning radius 1,730 mm Outer track radius 1,465 mm

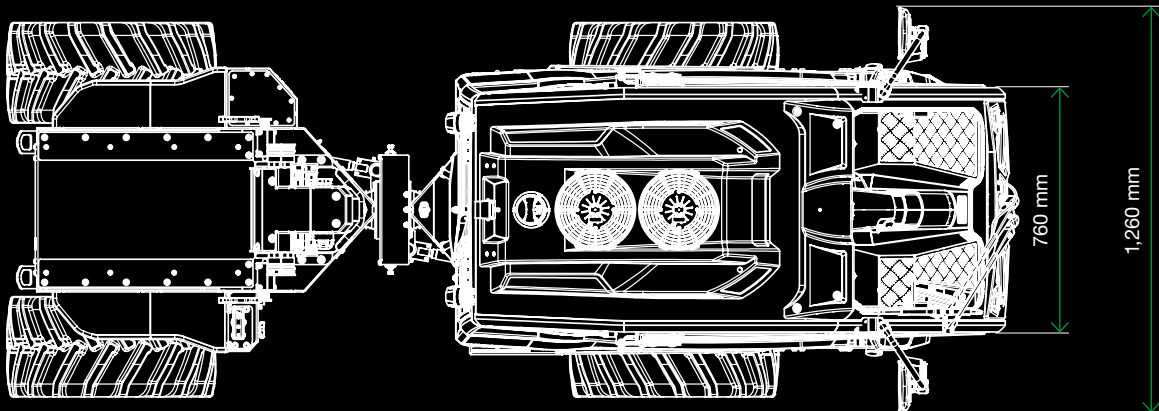
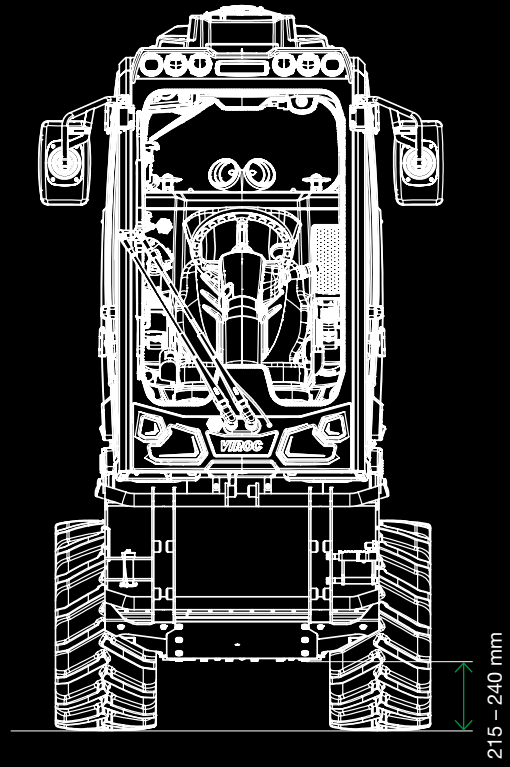
# Dimensions



Standard



High Lift

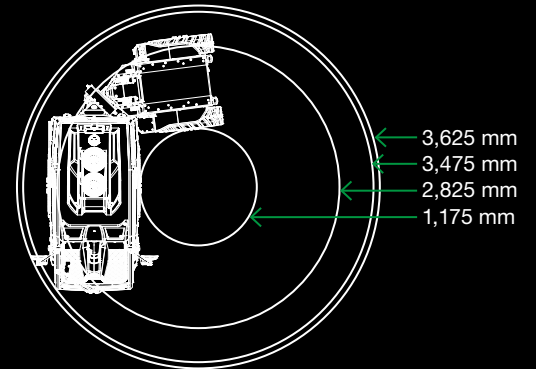
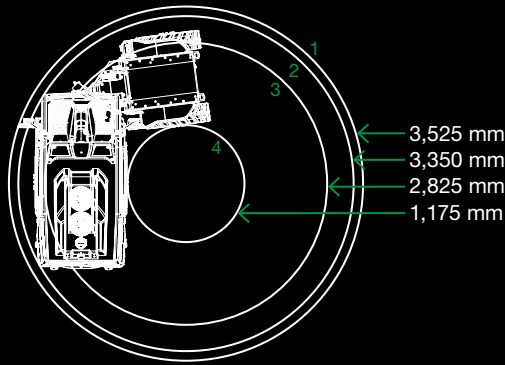


# Turning radius

## 185/65 – 15

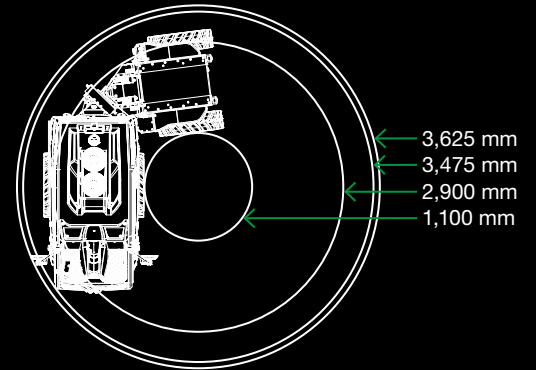
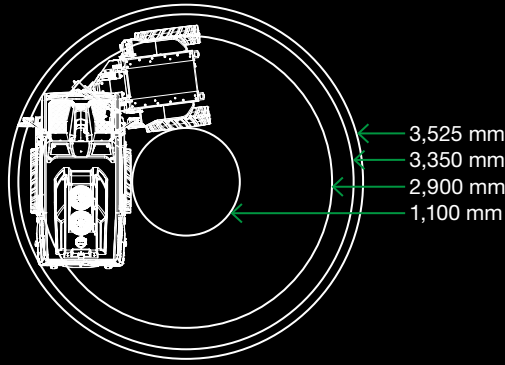
Width Viroc 90 cm

- 1 mirrors unfolded
- 2 mirrors folded
- 3 track width
- 4 inner turning radius



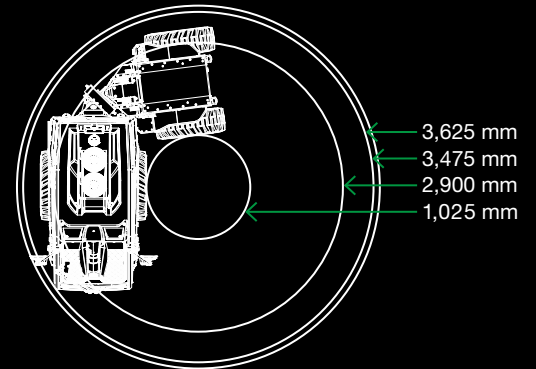
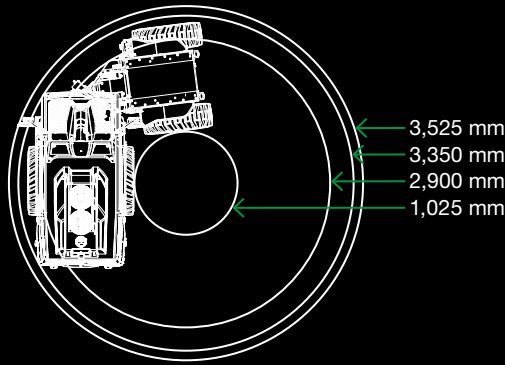
## 185/65 – 15

Width Viroc 100 cm



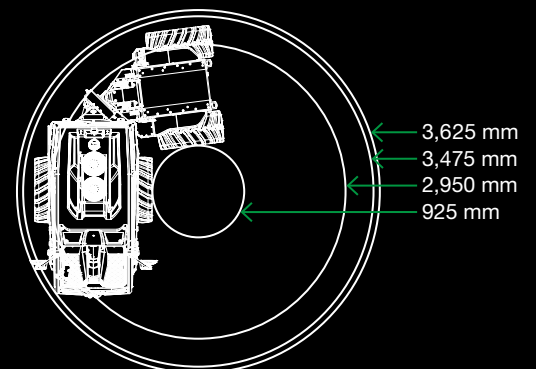
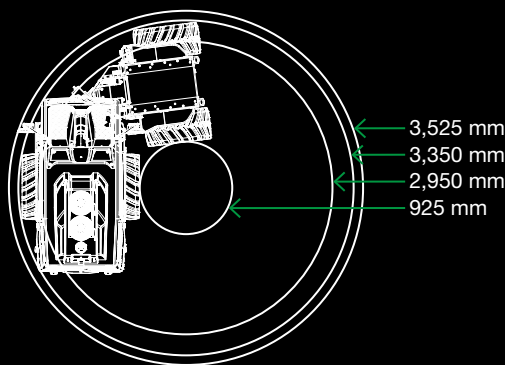
## 27 x 10.50 – 15

Width Viroc 105 cm



## 26 x 12.00 – 12

Width Viroc 115 cm



## Optionals Viroc

Tailor your Viroc to suit your requirements:  
Each additional feature boosts your productivity and creates  
a one-of-a-kind work environment.



---

## Extended warranty



24 months / 1,000 h

---

## Engine



Cleanfix  
reversible fan  
for model VR60  
*(standard on model VR80)*

---

## Hydraulic system



Double piston pump  
with 3 gear pumps

# Driver's station



14-pin cable feed-through with front and rear ports



Seat heating



Left armrest



DAB radio with hands-free system, Bluetooth and AUX input



Smartphone holder with USB charging port



Rear camera



Switchable 12V socket according to DIN 9680



Front & rear work lights



Lighting for road traffic



High beam





# Linkage

With Viroc, you can use third-party accessory units that you already own. The three-point linkage offers a lifting capacity of 1,000 kg at the hooks, providing optimal multifunctionality.



### Technical data

Three-point linkage	Cat. 2S ISO 730-1
Minimum lifting capacity at the attachment points	1,000 kg
Recommended max. weight of the accessory	ca. 700 kg
Optional	<ul style="list-style-type: none"><li>• Hydraulic top link</li><li>• Valve block for 5 free cylinder movements with a maximum of 180 bar &amp; 13,5 l/min</li></ul>
Mounting frame with three-point linkage	<ul style="list-style-type: none"><li>• Cat. 2S Ø 22</li><li>• Cat. 2S Ø 28</li><li>• Fendt Ø 22</li></ul>

# Configuration



Linkage with hydraulic block



Three-point mounting frame Cat. 1



Three-point mounting frame Cat. 1, pivotable (15°) and with side shift



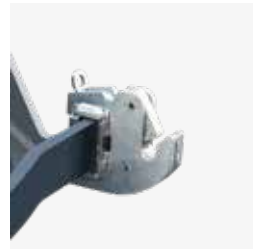
Hydraulic top link



Quick-release hooks for linkage Cat. 2S, Ø 22



Quick-release hooks for linkage Cat. 2S, Ø 28



Quick-release hooks for linkage type Fendt Ø 22



Double-acting hydraulics (1-2-3-4)



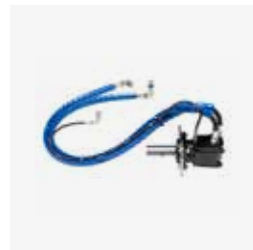
Buttons for external operation



Switchable 12V socket according to DIN 9680



PTO 1 OMS 80 cc (using 1 piston pump)



PTO 2 OMT 160 cc (For high-performance accessory units where both piston pumps are used to drive a PTO)



Parking jacks

## Linkage available with



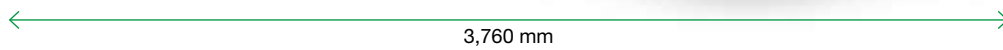
Loader bucket



Rotary plough

# Loader bucket

With the loader bucket, digging and transport tasks in confined spaces become nothing more than an efficient breeze.



## Technical data

---

Width	<ul style="list-style-type: none"><li>• 900 mm</li><li>• 1,200 mm</li></ul>
Volumen	<ul style="list-style-type: none"><li>• 0.16 m<sup>3</sup></li><li>• 0.21 m<sup>3</sup></li></ul>

---



## Accessory

# Rotary plough

In terraced farming, the rotary plough is your indispensable companion. It allows for quick and easy processing of terraces and headlands.



3,675 mm

## Technical data

Width	800 mm
Side shift with oscillating hitch frame	<ul style="list-style-type: none"><li>• <math>\pm 100</math> mm</li><li>• with oscillating hitch frame <math>\pm 150</math> mm</li></ul>
Inclination with oscillating hitch frame	$\pm 15^\circ$
Required hydraulics	40 l/min at 200 bar
Necessary hydraulics for cylinder movement	min. 10 l/min at 130 bar
Rotational direction	Left & right
Weight	165 kg



## Accessory

# Front linkage

Viroc guarantees top-tier versatility and productivity for every operation. The front linkage enhances multitasking capabilities, enabling you to perform two operations in one go.



3,370 mm

## Technical data

Lifting capacity at the attachment point	650 kg
Recommended max. weight of the accessory	200 - 300 kg with minimal overhang & appropriate rear counterweight
Three-point linkage	A-frame for Category 0
Optional	<ul style="list-style-type: none"><li>• Hydraulic top link</li><li>• Valve block for up to 5 independent cylinder movements with max. 180 bar &amp; 13,5 l/min</li><li>• Continuous flow</li></ul>

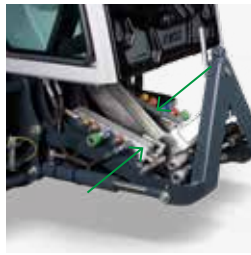




# Configuration



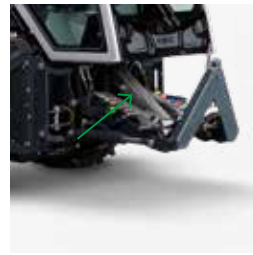
Front linkage with Category 0 A-frame



Hydraulic power unit & 12V socket



Continuous hydraulic flow



Hydraulic top link



Ports for the second gear pump



Ports for the PTO



Double-acting hydraulics (1-2-3-4)

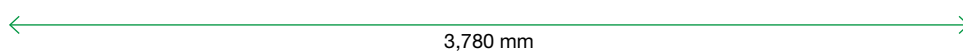




## Accessory

# Sprayer

The SP 350-60 sprayer is characterized by its compact design, 350-liter capacity, and a powerful fan. Once installed, its low net weight provides an agile, practical, and easy-to-use solution, ensuring maximum efficiency across all applications. The fan and metal frame are made of stainless steel, while the tanks are made of PE.



### Technical data SP 350-60

### Low cross flow QS

### High cross flow HQS

Capacity	350 l	350 l
Pump	38 l/min at 40 bar, 3 membranes	38 l/min at 40 bar, 3 membranes
Aspiration filter	Arag 312	Arag 312
Pressure filter	Braglia M144 self-cleaning	Braglia M144 self-cleaning
Mixer	Hydraulic	Hydraulic
Nozzles	<ul style="list-style-type: none"> <li>• Braglia M76 Albus Quick Caps (single)</li> <li>• Braglia M75 Albus Quick Caps (double)</li> <li>• Braglia M84 Albus Quick Caps (triple)</li> </ul>	<ul style="list-style-type: none"> <li>• Braglia M76 Albus Quick Caps (single)</li> <li>• Braglia M75 Albus Quick Caps (double)</li> <li>• Braglia M84 Albus Quick Caps (triple)</li> </ul>
No. of nozzles	10	14
Air flow rate	22,500 m <sup>3</sup> /h	22,500 m <sup>3</sup> /h
Maximum pressure	40 bar	40 bar
Required hydraulics	40 l/min at 250 bar	40 l/min at 250 bar
Weight	when empty, QS 210 kg when full, 670 kg	when empty, HQS 230 kg when full, 690 kg



# Configuration



Sprayer  
SP 350-60



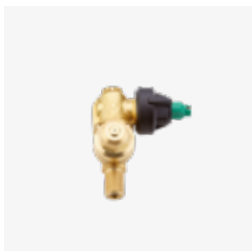
Low cross flow with  
10 nozzles



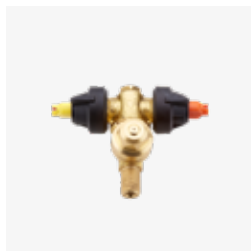
High cross flow with  
14 nozzles



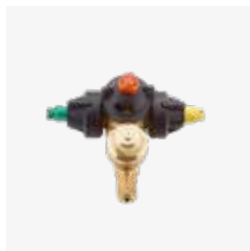
Spraying equipment  
from other  
manufacturers



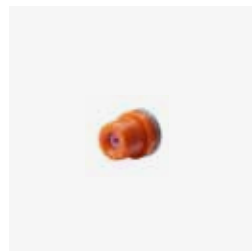
Nozzle holder single  
(Quick Cap System)



Nozzle holder double  
(Quick Cap System)



Nozzle holder triple  
(Quick Cap System)



Nozzles Albus  
ATI 80°



Nozzles Albus  
CVI 80°  
(drift reduction)



Pressure sensor



Pressure sensor &  
electric pressure  
regulator



Angle sensor  
(for QS)



Angle sensor  
& hydraulically  
adjustable flaps  
(for HQS)



Fill level sensor  
in the tank



3-way valve,  
electrically  
controlled from the  
monitor (treatment/  
flushing)



1 LED work light  
for QS



2 LED work lights  
for HQS



Parking jacks



## Accessory

# Implement mast

The implement mast sets new benchmarks for multifunctionality in farming. It allows you to mount various accessory units, including the flail mower or trimmer, and position them according to your needs. The implement mast takes your productivity to a new level, offering an all-in-one solution for diverse tasks.



## Technical data

Stroke length of the main telescope	600 mm
Tilt angle of the main telescope	$\pm 25^\circ$
Tilt angle of the swivel system	$\pm 120^\circ$
Stroke length of the 2 <sup>nd</sup> telescope	500 mm
Weight	155 kg



# Configuration



Implement mast with hydraulic block unit & additional hydraulic functions



Swivel system with 500 mm telescope



Quick rotation system (180°)



Quick-release system for the telescope



Parking jacks

## Available with the flail mower



Mower model SM80 with a working width of 80 cm



Mower model SM90 with a working width of 90 cm



Hydraulic shoot remover  
*(on request: individually controllable brush)*



Parking jacks

## Available with the trimmer



Mast for trimmer model LSU with hydraulic functions



Pellenc cutter bars



Parking jacks

## Accessory

# Flail mower

Thanks to our implement mast, our flail mower transforms into a multipurpose mulching device or a boom-mounted verge mower for cutting at various heights and depths.

If combined with the hydraulic shoot remover, the mower can also be used for comprehensive field maintenance between rows of any type, eliminating the need for tedious manual work.



### Technical data

Operating width	800 mm or 900 mm
Working rpm	2,000 - 3,000 rpm
Hydraulic system for flail mower axle	min. 35 l/min at 250 bar
Necessary hydraulics for cylinder movement	min. 10 l/min at 130 bar
Weight	450 kg



## Accessory

# Trimmer

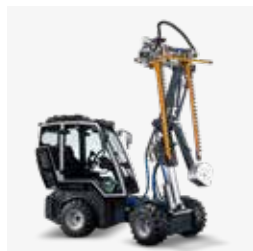
Due to its extensive range of motion, the trimmer can adapt to various conditions and be used at different heights, enabling double-sided treatment of the vines. One horizontal and two vertically oriented cutter bars allow efficient trimming in a single pass.



4,325 mm

## Technical data

Length of cutter bars	900 - 1,200 mm
Required hydraulics for cutter blades	min. 20 l/min at 160 bar
Necessary hydraulics for cylinder movement	min. 10 l/min at 130 bar
Weight	450 kg (incl. counterweight)



## Accessory

# Transportation platform

The adjustable transportation platform, adaptable in both length and width, safely transports your crates of any size and their content from A to B.



## Technical data

Width	Infinitely adjustable from 700 mm to 1,100 mm
Length	Infinitely adjustable from 1,050 mm to 1,250 mm
Panel height	150 mm
Optional	Hydraulic tilt
Weight	130 kg



---

# Configuration



Transportation platform  
*(adjustable in length and width)*



Tilting device with manual operation



Tilting device with hydraulic actuation



Rear lights for road traffic



Parking jacks





# Dumper skip

The dumper skip's high volume capacity ensures secure transportation of loose materials.



← 3,320 mm →

## Technical data

Width	800 mm
Length	1,100 mm
Panel height	730 mm
Weight	192 kg
Load capacity	540 l



---

# Configuration



Dumper skip



Tilting device with hydraulic actuation



Rear lights for road traffic



Parking jacks



# On the tool carrier (1)



Sprayer



Implement mast



Transportation platform



Dumper skip



## Rear mounting area (2)



Linkage



Loader bucket



Rotary plough



Flail mower



Trimmer

## Front mounting area (3)



Front linkage



Brush



Snow plough





# COMPANY

Young, dynamic, and innovative:  
At WM technics, progress is our  
top priority – both for us and for  
our customers.

Since 1986, WM technics has been developing and manufacturing **high-quality machinery** for agriculture, urban applications, and ice resurfacing. Our innovative models stand out with advanced technology, ease of use, certified safety concepts, and modern design.



Tool carrier **Vitrac**  
Year of manufacture 2016

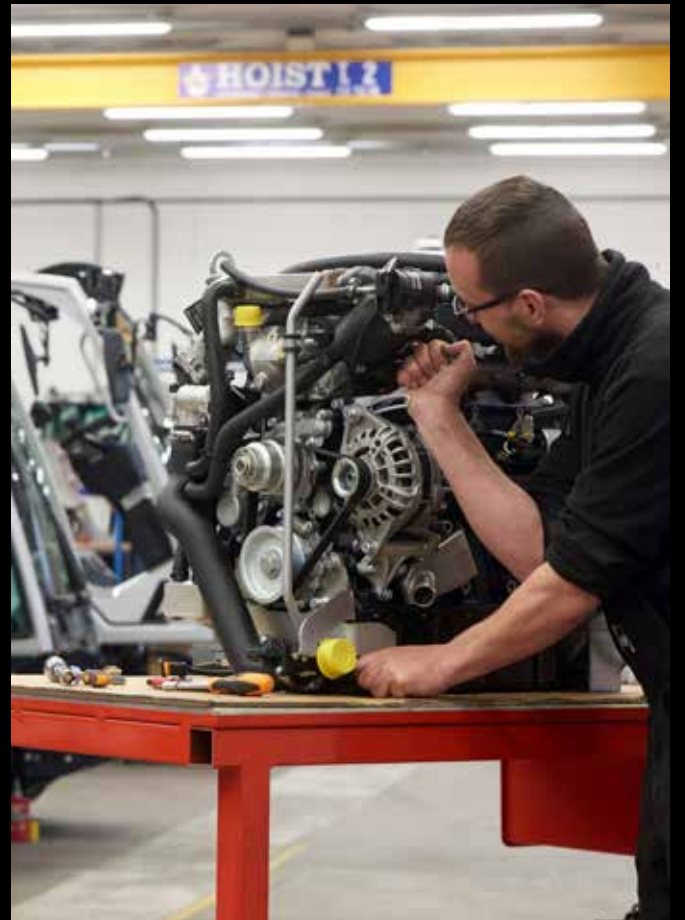
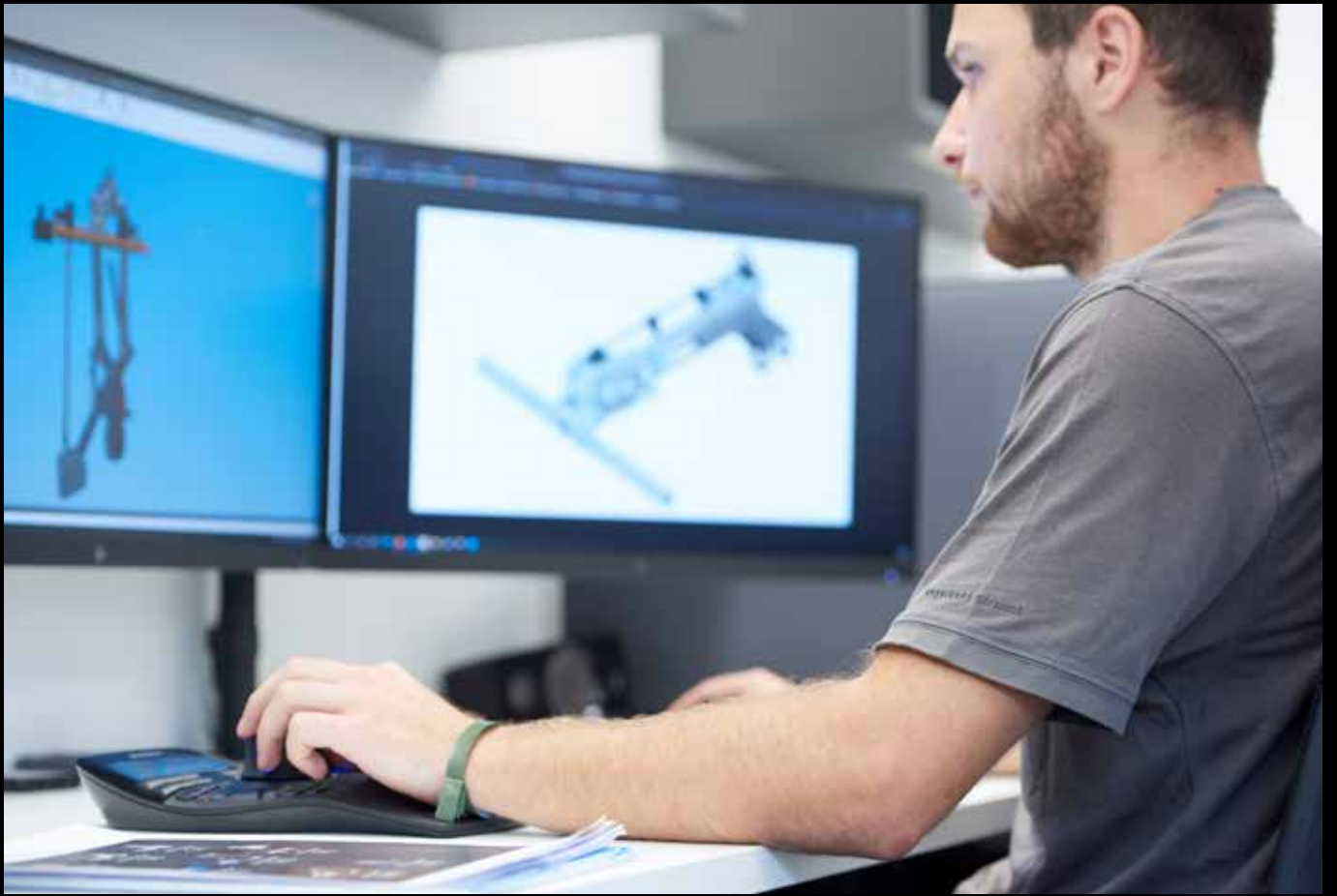
## What we offer

From the narrowest vine rows to the most rugged terrain, WM technics provides the ideal solution for any challenge you face. Our unwavering commitment to product excellence is setting new industry benchmarks, making us a top player on the global stage. Powered by advanced digital know-how, our design, parts production, and machine

assembly are all conducted at our plant in South Tyrol, Italy — guaranteeing absolute premium quality. Bespoke solutions, reduced maintenance needs, and reliable support make WM technics your strong, customer-centric ally.



Markus  
Developer





## Advanced innovative power

We approach research and experimentation with meticulous care, always prioritizing networking. Our employees' competence and decades of experience in development, production, and assembly come together in perfect synergy.



## Certified safety

Our top priority is safety and health in the workplace; that's why our tool carriers are designed and built to be user-friendly, based on a solid safety concept.



## Focus & user centricity

With self-motivation at our core, we independently design tool carriers for agricultural and urban use. Our approach remains customer-centric and with a constant focus on the complete value chain.



## Precise production

Every turning and milling component is produced with utmost precision in our facility. We procure standard parts solely from renowned suppliers. Never forgetting about its function and each little detail, each component is carefully crafted.



## Efficient assembly

Thanks to tightly organized processes, WM technics manufactures tool carriers in record time. Every step is documented in detail and maintained with transparency. The assembly is performed with precision and accountability, reducing regular as well as unexpected maintenance needs.



## It's all about quality

WM technics represents innovative tool carriers that redefine standards in efficiency, reliability, and ease of use. Serial production and in-house manufacturing guarantee seamless oversight of all manufacturing processes and components.



## Future-focused sustainability

Our tool carriers are built to last: Starting from the initial sketch, we prioritize the durability of our machines and consistently keep an eye on maintenance and operating expenses. Energy efficiency, low consumption, and optimal profitability converge with the highest performance.



## Service driven by dedication

As our machines are dedicated to meeting your professional needs, we nurture our relationship with customers—before, during, and after the purchase. Your specific requirements are integrated into the manufacturing process to provide tailored solutions.

At WM technics, we strive for excellence in everything we do. Our machines, led by Viroc, are the result of high-quality components and thoroughly thought-out designs. Developed, manufactured, and assembled in our facilities, we ensure the highest quality, timely deliveries, and low maintenance costs throughout their lifecycle. From individual components to the final product, every step is carefully monitored to deliver **your tool carrier of the future.**

## Ease of use



Using premium components and a well-thought-out design minimizes the need for service work.

## Quality guarantee



Viroc is a product designed, produced, and assembled within our facility. So we can ensure that we provide the best quality and on-time delivery.

## The right replacement part at any time



On our online portal, replacement parts can be easily and conveniently ordered. You can find the desired part with just one click using the serial number and finding its digital image.

## Series production



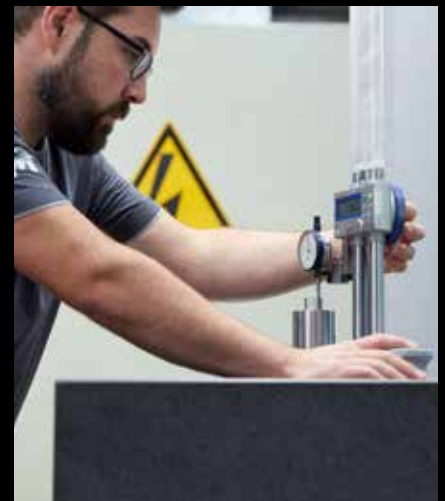
Every machine manufactured by WM technics is built in series. We keep track of the components used in each batch and can supply the appropriate spare parts whenever necessary. At the same time, different optional features can be easily added even years later.

## Service & support



Our extensive international team of technicians is constantly up-to-date and will gladly assist you whenever needed.

## Expertise & competence



Each step is meticulously traceable, from producing individual components to the final quality check. All team members are well-trained in their specialized roles and perform their tasks with great care. The advantage for our customers: You receive a technically sophisticated product manufactured to the highest quality expectations.

# Vitrac

Vitrac introduces a new generation of tool carriers: Tailored for terraced cultivation, it merges versatility with exceptional agility due to its compact dimensions (width of 80 cm).

With unparalleled turning radii, a patented joint lock, and two intelligent multifunction joysticks, it ensures the utmost comfort in viticulture.



Revolutionize heroic viticulture with us.





# Viroc Urban

The Viroc Urban marks a new era of multifunctional tool carriers designed for urban applications. Versatile and compact, it tackles various challenges, from street cleaning and snow removal to maintaining parks and green spaces.

Viroc Urban offers an unparalleled user experience where the efficiency of patented systems meets impressive agility. Additionally, the multifunction joystick allows for comfortable and intuitive control.



Efficiency  
moving your city.



WM technics GmbH

Breiner Straße 15  
I-39053 Blumau  
T. +39 0471 353 332  
info@wm-technics.com  
wm-technics.com

Follow us on:

YouTube: *WM Viroc*  
Facebook: *WM agri*  
Instagram: *WM agri*  
LinkedIn: *WM technics*



