

THE URBAN CLEANING REVOLUTION

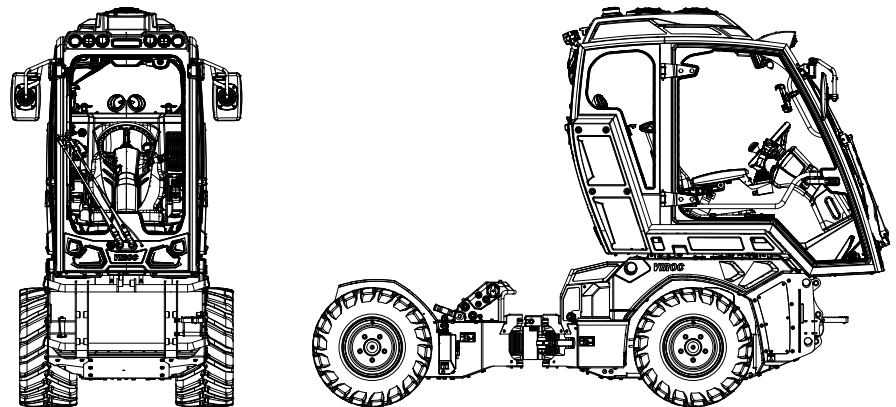
Product sheet
Viroc



Viroc Urban marks the beginning of a **new era in multifunctional urban maintenance**. This tool carrier is designed to handle a wide range of tasks: whether it's cleaning streets, clearing snow, or maintaining parks and green spaces, Viroc Urban is the perfect solution.

Viroc Urban delivers a truly unique user experience where the efficiency of patented systems meets remarkable agility and ease of operation. This machine is a genuine revolution in the offroad sector, made possible by WM technics' combined expertise and innovative spirit.

The innovation starts with the cutting-edge cabin, extends through the flexible system for attaching various accessory units, and culminates in a frame designed for smooth movement over challenging terrain and within urban settings. The multifunction joystick gives you comfortable and intuitive control.



Off-road & urban setting

Easy & intuitive control

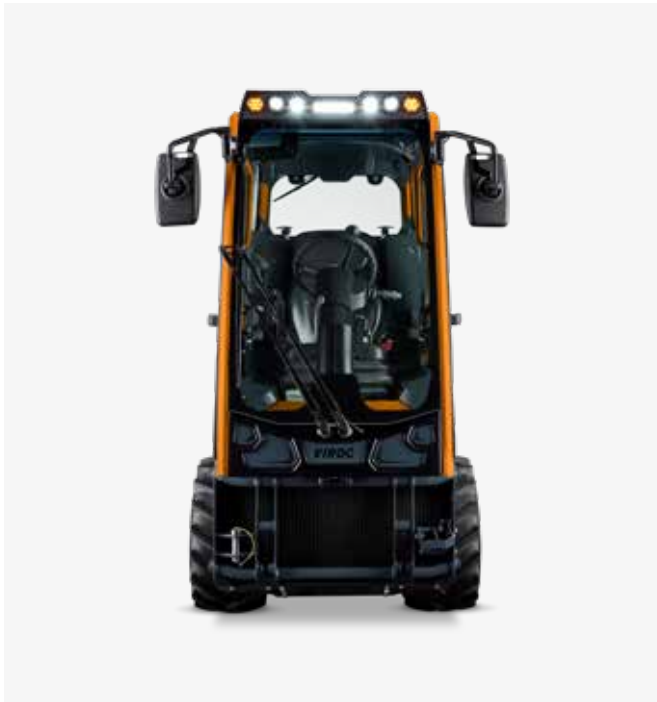
Unique usability



The efficiency
that moves the city.

Amid the hustle and bustle of city life, Viroc Urban by WM technics is the unseen hero of the streets. Already hard at work, it handles every task with remarkable agility and precision, keeping streets clean and clear, and parks well-maintained. With its intuitive control and compact design, it's the perfect tool for those who turn the urban environment into a neat and welcoming space, day after day.

Facts & figures



Viroc VR60

Engine	Diesel Hatz 3H50TICD
Exhaust emission standard	Stage V
No. of cylinders	3
Performance / rpm	43.7 kW (60 hp) / 2,250 rpm
Displacement	1,464 cm ³
Reversible Cleanfix fan	Optional
Standard traction	20 km/h – 13,300 N
Traction (High Torque)	14 km/h – 20,000 N
Standard ground clearance	90 cm: 150 mm 100 cm: 150 mm 105 cm: 175 mm 115 cm: 155 mm
Ground clearance (High Lift)	90 cm: 215 mm 100 cm: 215 mm 105 cm: 240 mm 115 cm: 220 mm

Viroc VR80

Engine	Diesel Hatz 4H50TICD
Exhaust emission standard	Stage V
No. of cylinders	4
Performance / rpm	55.4 kW (75 hp) / 2,250 rpm
Displacement	1,967 cm ³
Reversible Cleanfix fan	Standard
Standard traction	20 km/h – 13,300 N
Traction (High Torque)	14 km/h – 20,000 N
Standard ground clearance	90 cm: 150 mm 100 cm: 150 mm 105 cm: 175 mm 115 cm: 155 mm
Ground clearance (High Lift)	90 cm: 215 mm 100 cm: 215 mm 105 cm: 240 mm 115 cm: 220 mm

General

Drive	Stepless, hydraulic all-wheel drive (0 - 20 km/h) with electronic speed control
Axes	Hydraulic single-wheel drive
Frame	CDC and powder coated high-strength steel frame
Differential lock	Powershift hydraulic differential lock
Steering	Double articulation ($\pm 82^\circ$)
Central joint lock	Central location with patented joint lock system and sensor-controlled wheel monitoring
Service brake	Hydrostatic
Parking brake	Hydraulically controlled negative brakes on all 4 wheels, integrated in the end drives
PTO 1	Can be regulated hydraulically via piston pump in both directions 350 bar from 0 to 83 litres
PTO 2 (optional)	Can be regulated hydraulically via piston pump in both directions 250 bar from 0 to 40 litres
Working hydraulics 1	Gear pumps max. 13.5 litres and 180 bar, electrohydraulic proportional valves
Working hydraulics 2 (optional)	Gear pumps max. 13.5 litres and 180 bar, electrohydraulic proportional valves
Instruments	7" color display with touch function, illuminated keypad with 6 keys
Driver's station	ROPS-tested aluminum Driver's cab; 180° rotatable; steering column adjustable in height and angle; 1 multifunction joystick for operation.
Hand-arm vibrations	< 2.5 m/s ²
Whole-body vibrations	< 0.5 m/s ²
Electric system	12V 60Ah, light system 110A, CAN-BUS and 30 electrical outputs/inputs for accessory units
Fuel tank	36 l
Hydraulic system	40 l of type HVLP 46
Operating temperatures	from -15 °C to +40 °C

Tires

Overall width 90 cm	185/65 - 15 4PR
Overall width 100 cm	185/65 - 15 4PR
Overall width 105 cm	27 x 10.5 - 15 8PR
Overall width 115 cm	26 x 12.00 - 12 8PR

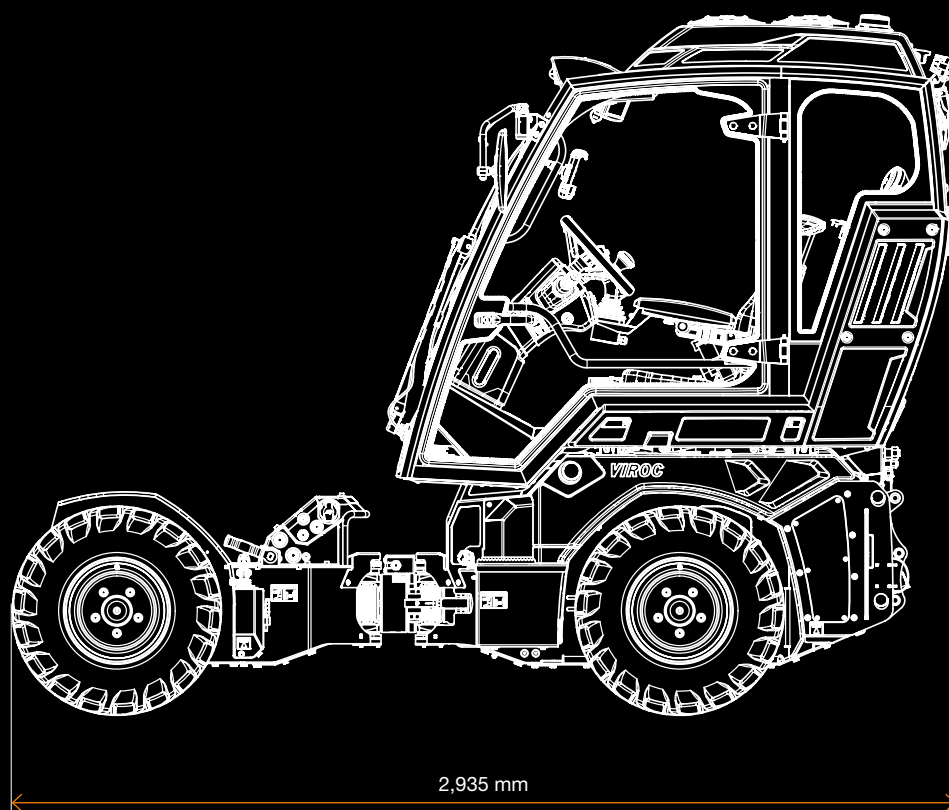
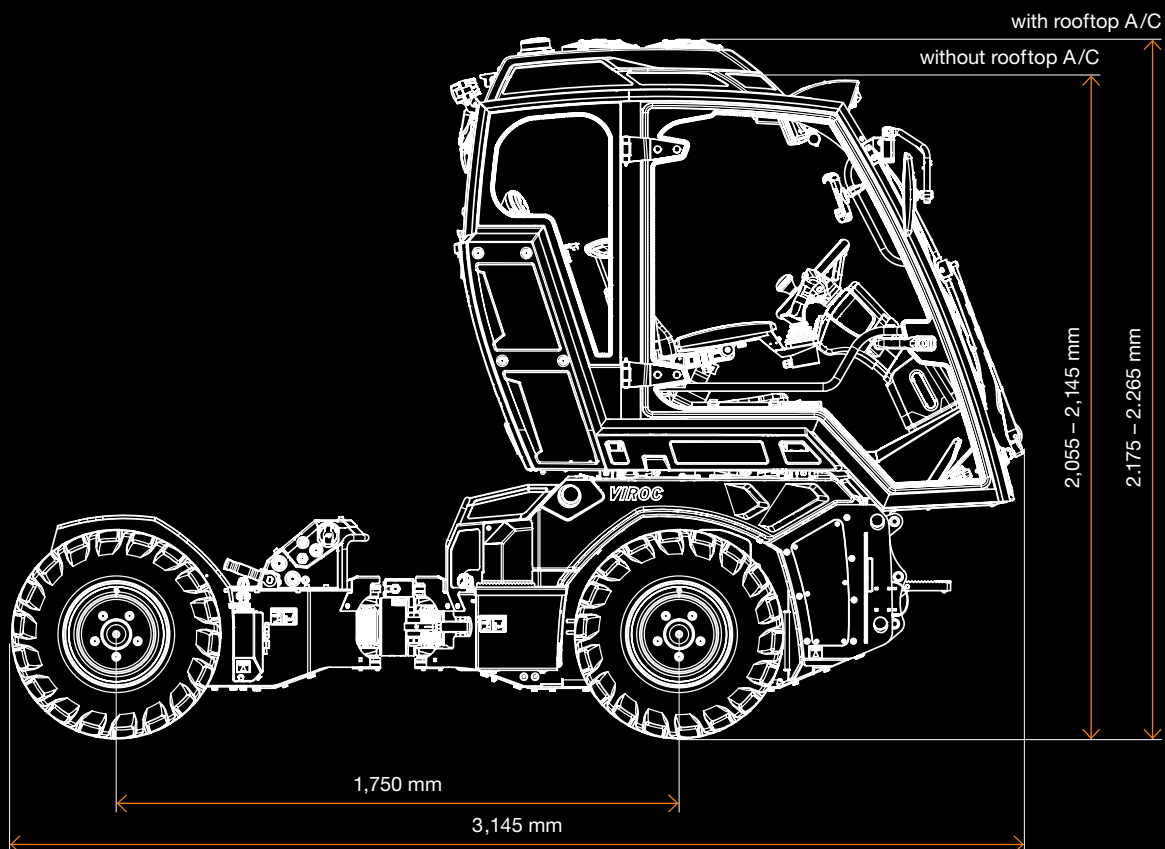
Weight & dimensions

Weight	Basic machine 1,270 kg
Perm. total weight	2,450 kg
Overall length	Driving direction forwards: 3,145 mm
Overall length	Driving direction backwards: 2,935 mm
Height	2,055 – 2,265 mm
Center distance	1,750 mm

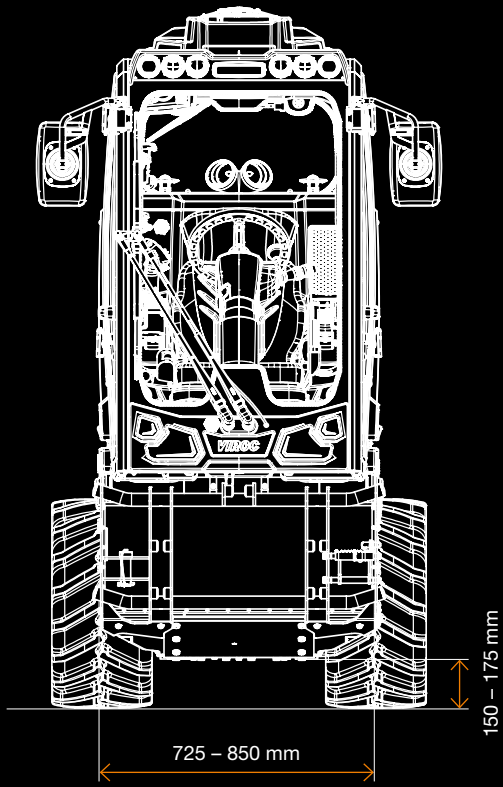
Turning radius

Total width 90 cm	Inner turning radius 585 mm Outer turning radius 1,730 mm Outer track radius 1,420 mm
Total width 100 cm	Inner turning radius 540 mm Outer turning radius 1,730 mm Outer track radius 1,445 mm
Total width 105 cm	Inner turning radius 510 mm Outer turning radius 1,730 mm Outer track radius 1,440 mm
Total width 115 cm	Inner turning radius 455 mm Outer turning radius 1,730 mm Outer track radius 1,465 mm

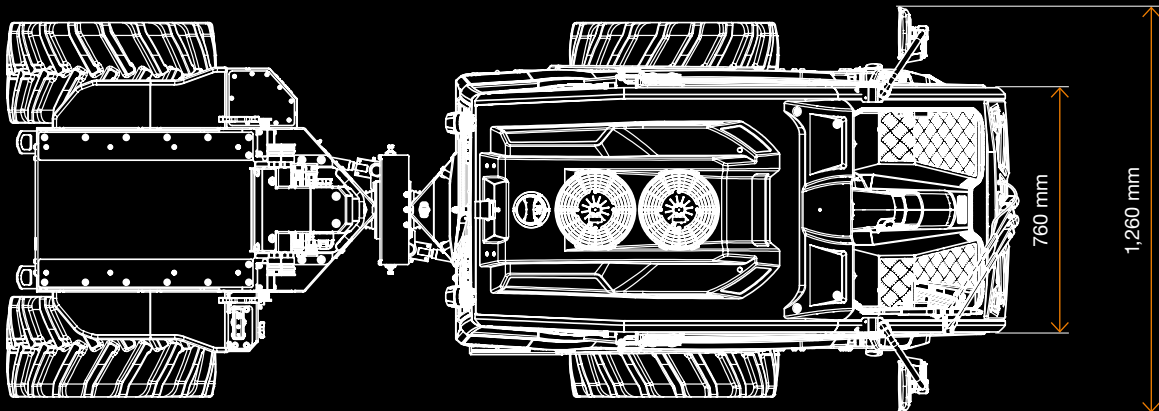
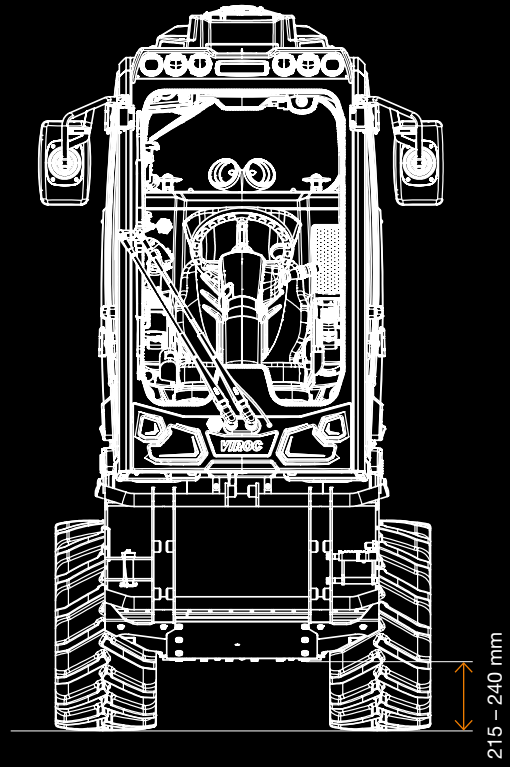
Dimensions



Standard



High Lift

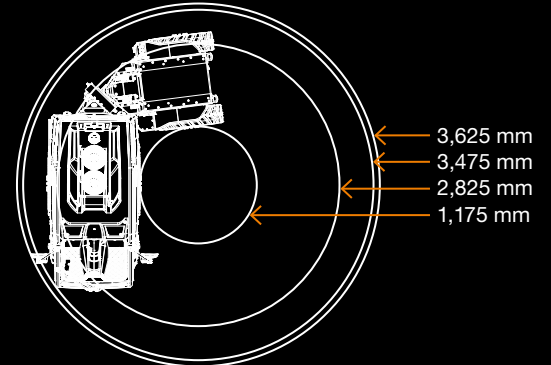
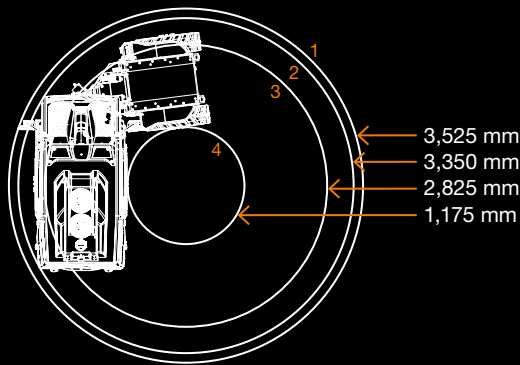


Turning radius

185/65 – 15

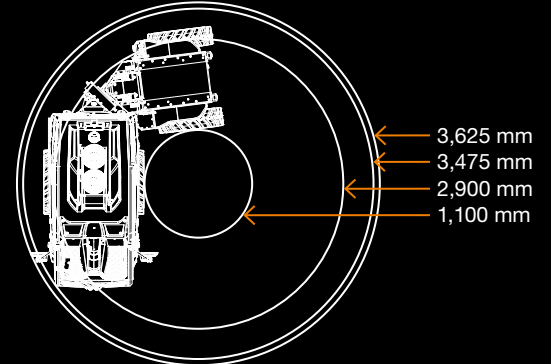
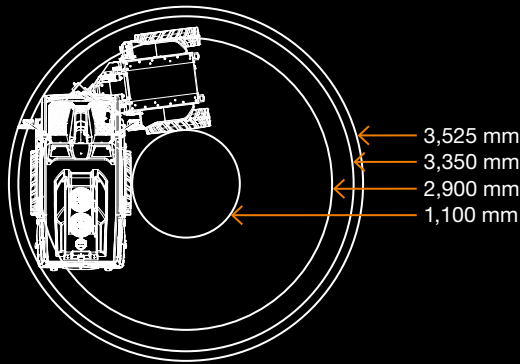
Width Viroc 90 cm

- 1 mirrors unfolded
- 2 mirrors folded
- 3 track width
- 4 inner turning radius



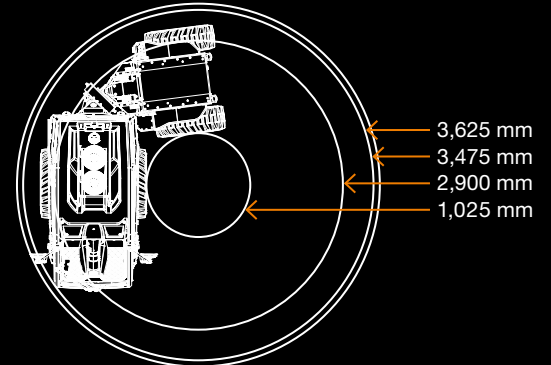
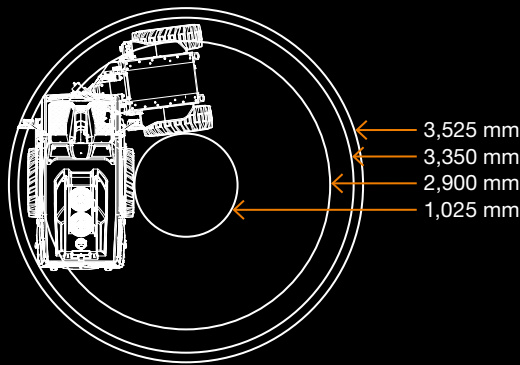
185/65 – 15

Width Viroc 100 cm



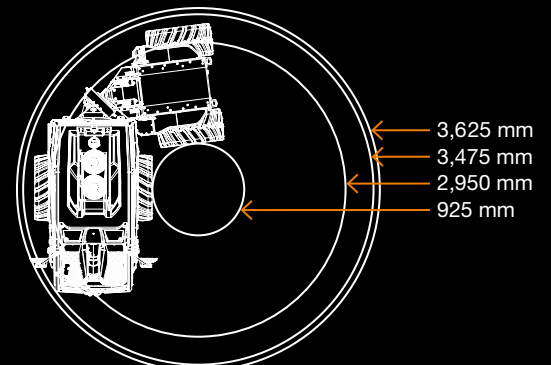
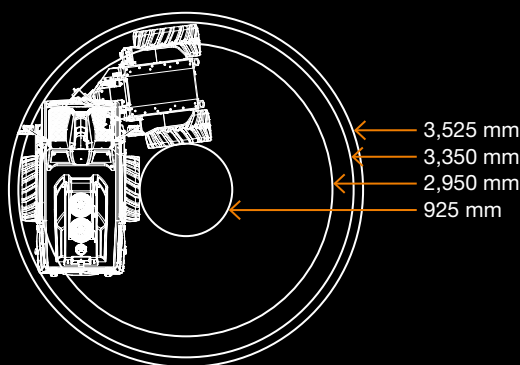
27 x 10.50 – 15

Width Viroc 105 cm



26 x 12.00 – 12

Width Viroc 115 cm



WM technics GmbH

Breiner Straße 15
I-39053 Blumau
T. +39 0471 353 332
info@wm-technics.com
wm-technics.com

Follow us on

YouTube: *WM urban*
Facebook: *WM urban*
Instagram: *WM urban*
LinkedIn: *WM technics*

